

TIMKEN**The Timken Company**

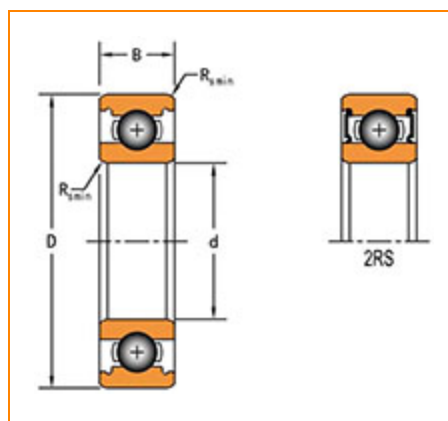
4500 Mt Pleasant St. NW

N. Canton, OH 44720

Phone: (234) 262-3000

E-Mail: CustomerCAD@timken.com • Web site: www.timken.com**Part Number 61808-2RS, Thin Section Ball Bearings (61700, 61800, 61900)**

Timken's deep groove ball bearings deliver reliable performance in a wide range of applications and conditions. With super-finished raceways and controlled geometries, our premium design helps ensure consistent quality.



[Specifications](#) | [Dimensions](#) | [Basic Load Ratings](#) | [Factors](#)

Specifications

Clearance	C0 (Normal)
Bore Size d	40.000 mm
Features	Contact Seals
Weight	0.029 Kg

Dimensions

Outside Diameter D	52.000 mm
Outside Ring Width B	7.000 mm
Radius Rs min	0.300 mm



Basic Load Ratings

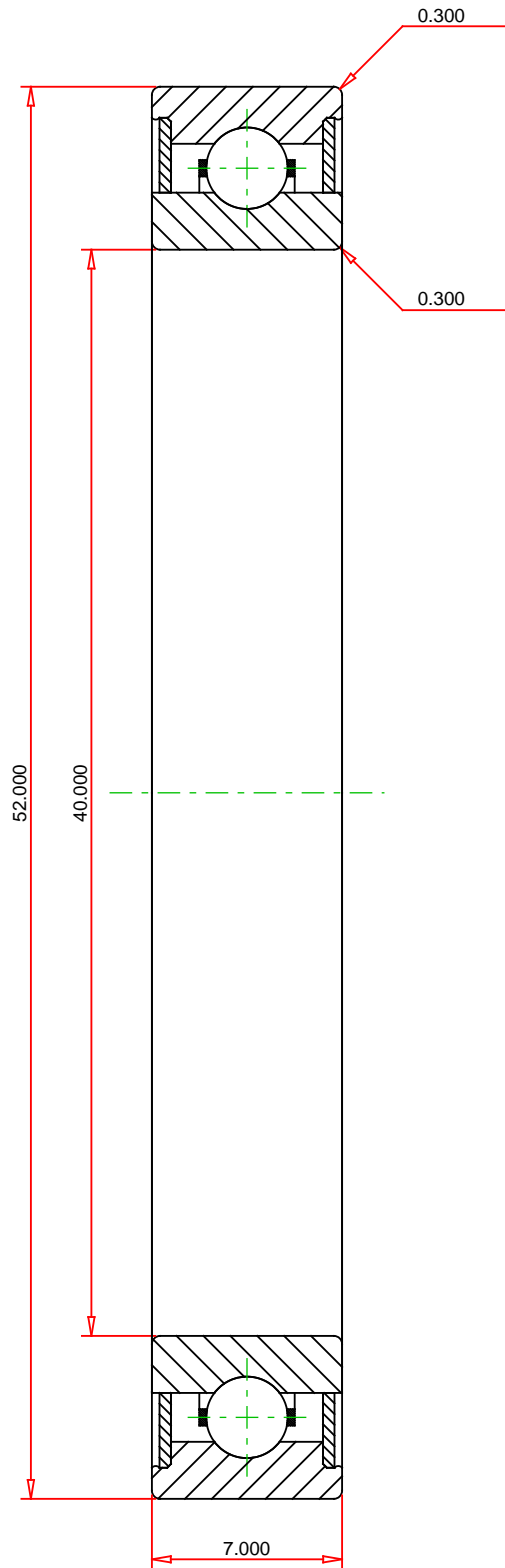
Cr - Dynamic Load Rating 4.9 kN

C0r - Static Load Rating 4.2 kN

Factors

Grease Limiting Speed 12000 rpm

Oil Limiting Speed 14000 rpm



METRIC UNITS

Weight 0.029 kg

TIMKEN®

THE TIMKEN COMPANY
NORTH CANTON, OHIO USA

61808-2RS
Thin Section Ball Bearings (61700, 61800, 61900)

Dynamic Load Rating 4900 N
Static Load Rating 4200 N

Every reasonable effort has been made to ensure the accuracy of the information contained in this writing, but no liability is accepted for errors, omissions or for any other reason.

FOR DISCUSSION ONLY